

Datasheet

Dynamex LED Exit



CAT. NO. 659536LI, 659537LI, 659538LI, 659539LI, 659540LI, 659541LI, 659542LI, 659543LI, 659544LI, 659545LI, 659546LI, 659547LI, 659548LI, 659549LI, 659550LI



Positive Mode



Normal Mode



Negative Mode

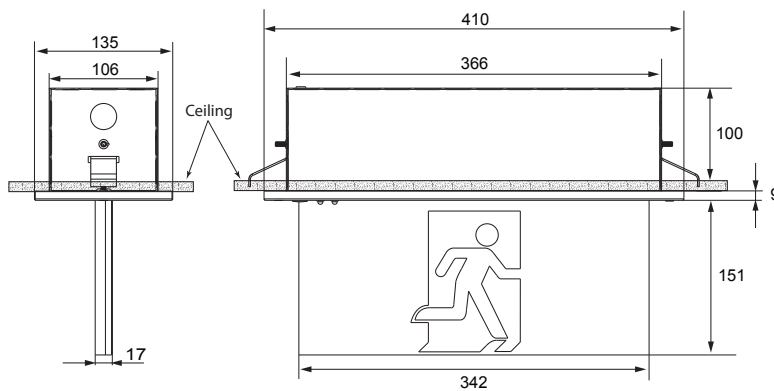
Operation Mode	Maintained with Positive Mode and Negative Mode
Nominal Input Voltage	230 - 240 V a.c. 50 Hz
Voltage for Dynamic Terminals Input	0.9 - 1.3 V
Light Source	LED
Battery	Li-ion 1.5 Ah, 12.8 V
Operating Temperature	10° C to 40° C
Power Consumption	Up to 14 W (Positive and Negative Mode) Up to 8 W (Normal Mode)
Inrush Current	16.5 A
Body Construction	White powder-coated Zinc Steel
Diffuser	Inner: High quality Acrylic Outer: Screen printed medium density Opal Acrylic
IP Rating	IP20
Compliance	AS/NZS 60598, AS/NZS 2293 (Normal Mode)
Product Marking	

FEATURES

- 3-in-one Dynamic Exit Sign with Normal, Positive and Negative Modes.
- Slim edge light design.
- Robust and easy to install.
- iSmart™ temperature sensing technology for the LIION battery.
- Electronics designed to lengthen the life of the battery, minimising maintenance costs.
- Environment friendly battery.
- Available in three installation options: Recessed, Suspended and Surface Mount.
- Electrical interface to be a normally open or closed, non-latched, voltage free contact from the fire panel.
- 5 Year Warranty.
- Designed and Manufactured in Australia.

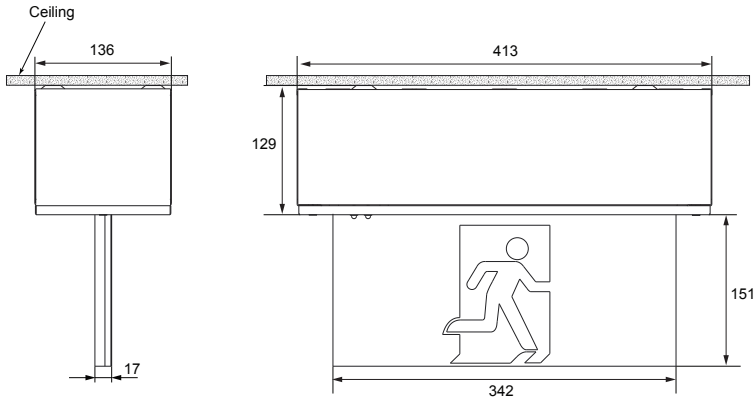
DIMENSIONS

Recessed:

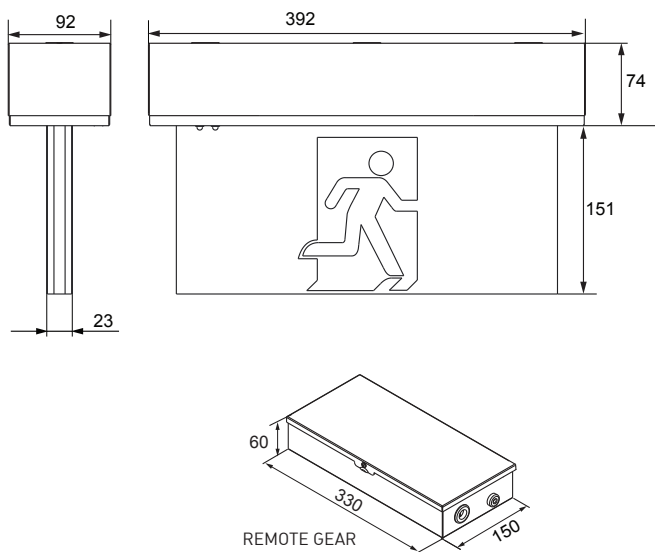


Note: All dimensions are in mm.

Surface Mounted:



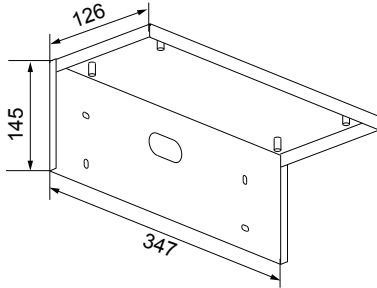
Suspended:



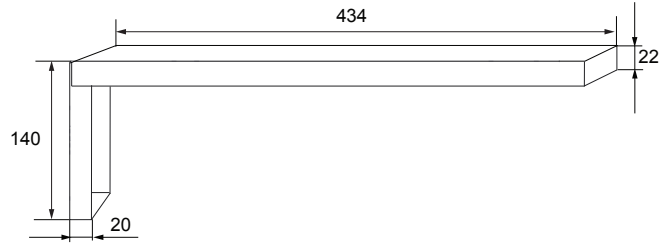
*Dynamex Rod Suspension will require a Ø25 mm diameter rod kit (not included and is required) to allow the 10 m supplied cable to feed through and terminate at the Exit sign head.

Note: All dimensions are in mm.

Wall Bracket Accessory



L - Bracket Accessory



Note: All dimensions are in mm.

Cat. No.	Description	Cat. No.	Description	Cat. No.	Description	No. of inputs*
Recessed		Surface mounted		Suspended		
659536LI	DYNAMEX SS RMS LI	659541LI	DYNAMEX SS RMS LI	659546LI	DYNAMEX SS RMS LI	2
659537LI	DYNAMEX SS RML LI	659542LI	DYNAMEX SS RML LI	659547LI	DYNAMEX SS RML LI	2
659538LI	DYNAMEX SS RMR LI	659543LI	DYNAMEX SS RMR LI	659548LI	DYNAMEX SS RMR LI	2
659539LI	DYNAMEX DS RMS LI	659544LI	DYNAMEX DS RMS LI	659549LI	DYNAMEX DS RMS LI	4
659540LI	DYNAMEX DS RMLR LI	659545LI	DYNAMEX DS RMLR LI	659550LI	DYNAMEX DS RMLR LI	4
Accessories						
659457	DYNAMEX L- BRACKET - WHITE					
659458	DYNAMEX WALL BRACKET - WHITE					

RMS = Running Man Straight, RML = Running Man Left, RMR = Running Man Right, RMLR = Running Man Left/Right, DS = Double-Sided, SS = Single-Sided, LI = Lithium battery

** Refer to the Dynamex Logic Controller for more details.

Note: Dynamex Logic Controller (659456) required and has to be ordered separately

Note: All dimensions are in mm.

Legrand - Australia
1300 369 777
www.legrand.com.au
ABN 31 000 102 661

Refer to your group buying office, Legrand Sales Representative or Legrand Sales Office for pricing.

Legrand - New Zealand
0800 476 009
www.legrand.co.nz

Please note: specifications are subject to change without prior notice.